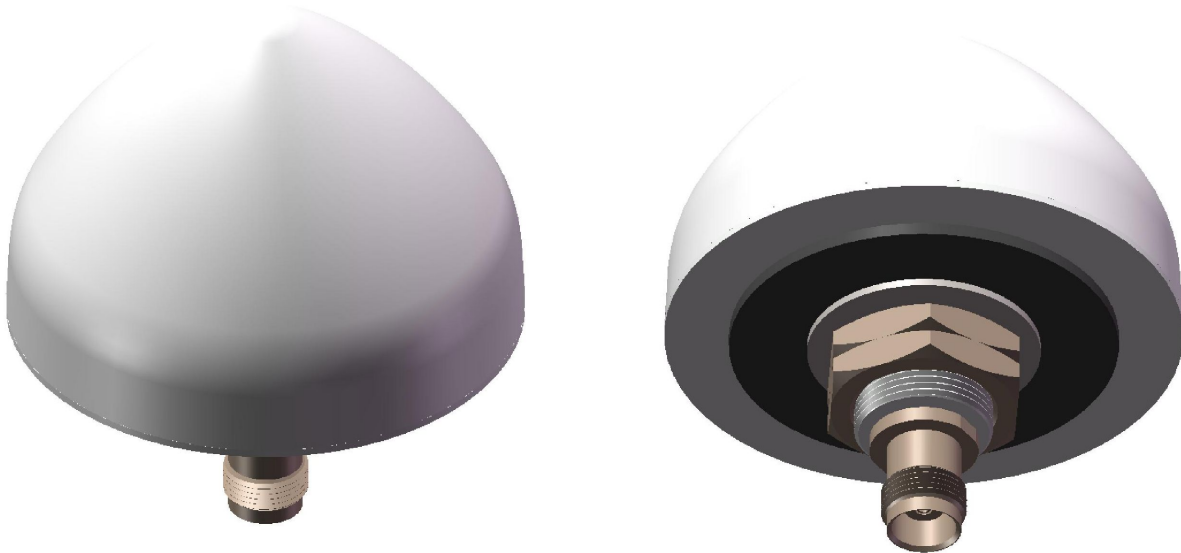
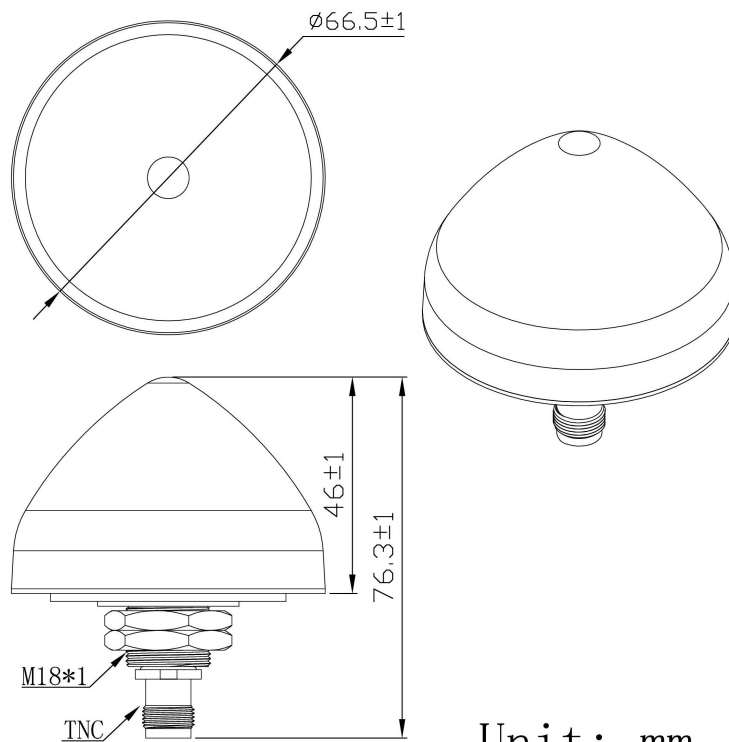


# GPS Active Antenna JCA225



## DIMENSIONS



Unit: mm

**SPECIFICATIONS**

Item	Specifications	
Antenna	Center Frequency	1575.42 ± 3MHz
	Band Width	CF ± 5MHz
	Polarization	RHCP
	Gain	5dBic@100mm Ground Plane (Zenith)
	V.S.W.R	<1.5
	Impedance	50 Ω
	Axial Ratio	4dB@90° ,6dB@20°
	Dimension	25*25*6mm
LNA	Gain	40dB typ.
	Noise Figure	<2.5dB
	Ex-band Attenuation	50dB@CF ± 50MHz
	Supply Voltage	2.7~10V DC
	Current Consumption	<25mA
	V.S.W.R	<1.5
Mechanical	Connector	TNC
	Radome Material	ABS
	Mounting Method	Screw
Environmental	Operating Temperature	-40°C~+85°C
	Relative Humidity	Up to 95%
	Ingress Protection	IP67
	Vibration	3 axis,10 to 200Hz,sweep 15min,3G
	Shock	Vertical axis:50G,other axes:30G
	Environmentally Friendly	ROHS Compliant
	ESD Protection	15KV air discharge